



Universal Loader
FL 500

*The multitalent
For all tractors or electro motor drive*

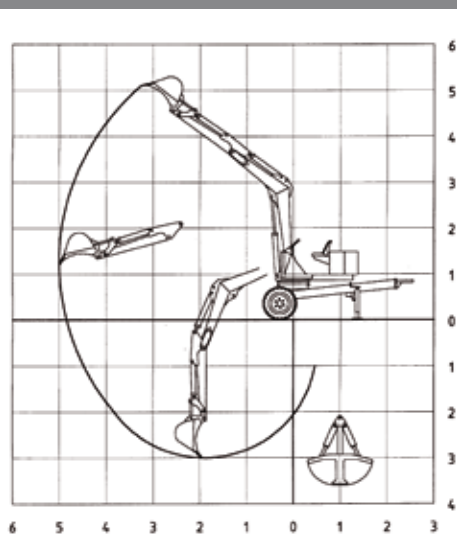


Schlingenerstraße 2a ▪ D-87668 Rieden ▪ Tel.: +49 8346 982026
E-Mail: info@ostler-maschinenbau.com ▪ www.ostler-maschinenbau.com

Technical Data

Maximum range of backhoe bucket	5,150 mm
Maximum range of load hook	4,300 mm
Max. operational depth of backhoe bucket	3,000 mm
Max. operational depth of earth bucket	3,500 mm
Max. operational height of load hook	4,500 mm
Lifting capacity without appliance	820-1,370 kg
Diameter of turntable	700 mm
Speed of power take-off shaft	540 U/min.
Slewing range	endless
Wheel gauge	1,800 mm
Overall width	2,030 mm
Tyres	10,0/75-15,3 impl. ply
Support alternatively	hydraulic/mechanical
Dead weight incl. concrete ballast (without appliance)	2,300 kg

*Dimensions are not binding. Changes in design may be subject to alterations.



Special Equipment

- Dung bucket
- Earth bucket
- Timber bucket
- Rotation servo, hydraulic
- Backhoe bucket 30 to 60 cm
- Ditch bucket 100/125 cm
- Slewing device for ditch bucket
- Hydraulic support
- 2-lever (Euro) control
- Comfort control with safety bar
- Electro motor
- Oil flow meter

Standard Equipment

- Hydr. control valve (fourfold), hand lever
- Seat and control system laterally arranged
- Covering of tube acc. to CE standards
- Tyres 10,0/75-15,3 impl. ply
- Concrete ballast



In-house development and production according to CE standards

