

Universal Loader **K2**

*unbeatable
versatility & stability!*



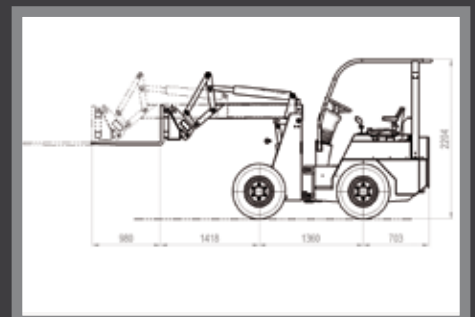
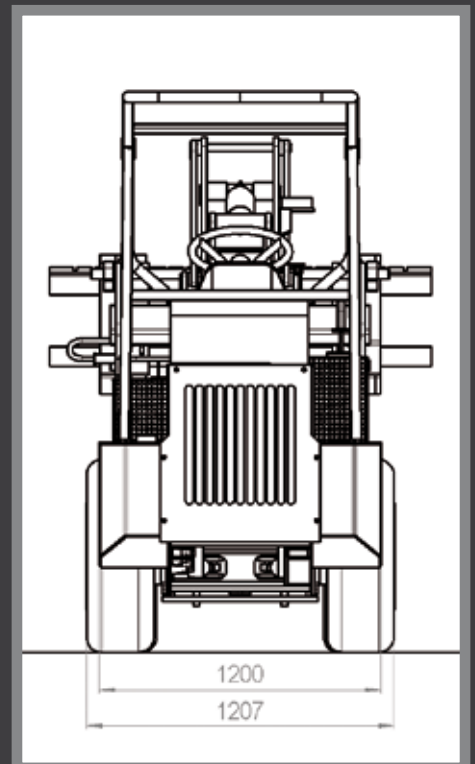
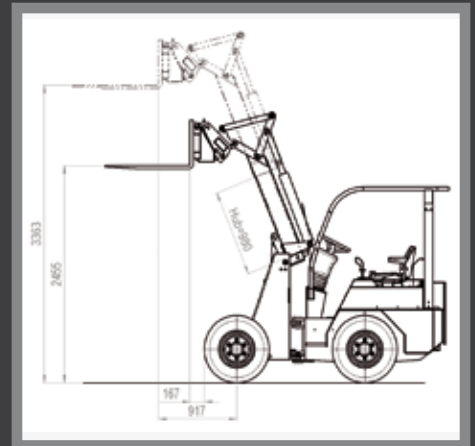
In-house development
and production according
to CE standards



Schlingenerstraße 2a ▪ D-87668 Rieden ▪ Tel.: +49 8346 982026
E-Mail: info@ostler-maschinenbau.com ▪ www.ostler-maschinenbau.com

Data Sheet

Weights		
Unladen weight		2060 kg
	Front section	590 kg
	Rear section	1470 kg
Drive		
Engine	3 cylinder Yanmar engine, water-cooled	27,1 KW/37 HP at 3000 rpm
	or 3 cylinder Perkins engine, water-cooled	25 KW/34 HP at 2800 rpm
Fuel	Diesel	Tank capacity 20l
Traction hydraulics	Adjustable axial piston pump	4 fully hydrostatic wheel motors in direct drive
Drive	continuously variable hydrostatic all-wheel drive	0–18 km/h
Rear axle	oscillating	
Tyres	Standard 10.0/75-15.3-AS	(Width of machine 1,20 m)
	Optional 31x15,50-15	(Width of machine 1,40 m)
Performance (lateral counterweights standard since 2011)		
Tipping load loader (run-in)	1300 kg (with counterweight)	
Tipping load loader (extended)	1000 kg (with counterweight)	
Lifting capacity	1600 kg (with counterweight)	
Lifting height (lower edge pallet bracket)	330 cm	
Brakes		
Service brake	via hydrostatic drive, acting on front and rear axle	
Parking brake	spring-loaded brake at front	
Steering		
Type of steering	articulated steering with 2 steering cylinders	
Steering column	comfort steering column (vertically adjustable) with working hour meter, fuel gauge and rpm counter	
Seat		
	comfort seat with safety belt (with integrated contact switch)	
Hydraulic system		
Flow rate hydraulic system	47l/min	
Flow rate for drive	116l/min	
System pressure for hydraulic system	180 bar	
System pressure for drive	400 bar	
Contents of hydraulic tank	40l	
Tool installation		
EURO standard attachment with mechanical locking (standard equipment)		
Turning radius (with standard tyres)		
On inner edge	1180 mm	
On outer edge	2180 mm	



Dimensions are not binding;
Changes in design may be subject to alterations.