

Universal Loader K3



Technical Data

Engine, **Euro Stage III**: Kubota, 4-cyl. diesel engine, water cooled, 36kW (50 HP), 2800rpm

Engine, **Euro Stage V**: Kubota, 4-cyl. petrol engine, water cooled, 43kW (58 HP), 3600rpm

Lifting capacity: 1400 kg standard, 1600 kg with lifting cylinders Ø 115mm and counter weights (max. 300 kg)

Lifting height: 3300 mm, lower side of pallet fork

Tipping load: 1500 kg, straight in-line, telescope retracted

Front axle: Telescopic front axle, width 1240 - 1870 mm

Rear axle: Standardly stiff, optionally pendulous

Front loader: Hydraulic telescopic lift mast, max. height 3.3 m

Drive: All-wheel, hydrostatic drive at each wheel, 0-18 km/h

Driving hydraulic: Adjustable axial piston pump, 400 bars, 4 fully hydraulic wheel motors in direct drive

Working hydraulics: Gear type pump, 180 bars, 64 l/min (diesel) 83l/min (petrol)

Service brake: By hydrostatic drive, on all wheels

Parking brake: Spring loaded brake, rear

Tyres: Standard 10.0/75 – 15.3AS, total width 1.24 – 1.87 m
Optionally 31 x 15.50-15 tot. loader width 1.40 - 2.03 m

Driver seat: Comfort seat with integrated contact switch, safety belt

Steering column: Comfort steering column, inclination adjustable, with operating hours counter, fuel gauge

Tool carrier: EURO-Norm with mechanical Locking

Fuel/Oil Tanks: Integrated safety tanks, fuel 29 litre, hydraulic oil 60 litre

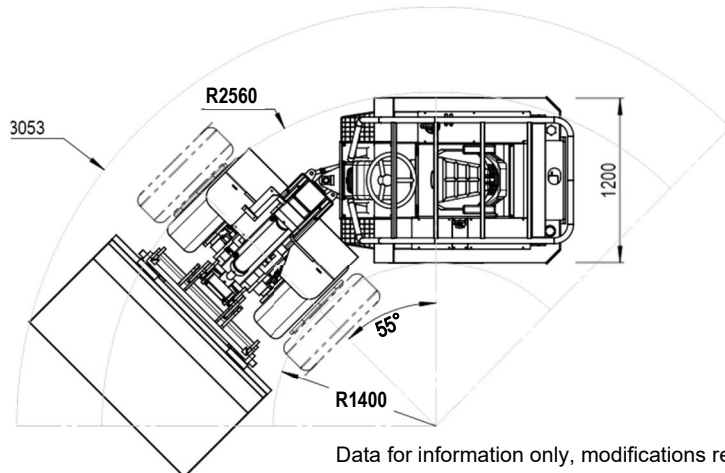
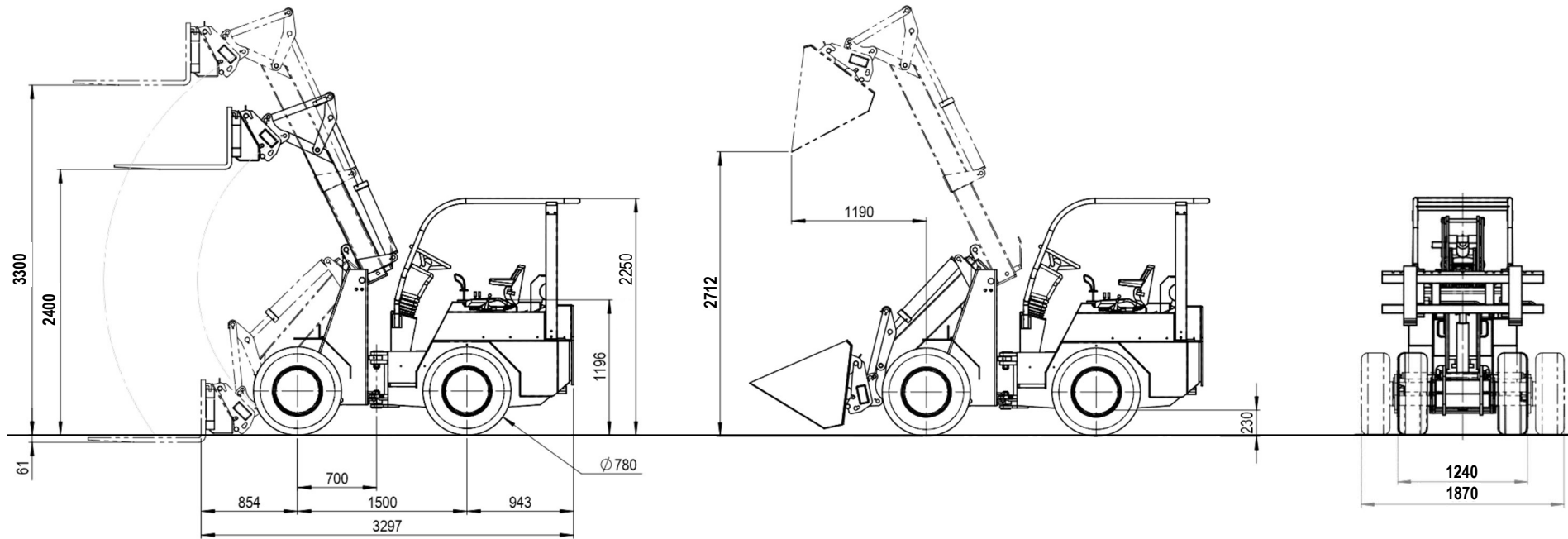
Empty weight: 2280 kg (front-/ rear axle 690 / 1590 kg)

Turning radius: Inside 1400 mm, outside 2560 mm, articulating angle 55°



Data for information only, modifications reserved, V 2.3

Universal Loader K3



Data for information only, modifications reserved, V2.3

- Short wheelbase of only 1.50 m
- Narrow chassis of only 1.24 m
- Track width, telescopic from 1.24 to 1.87 m
- Low height of only 2.25 m
- Tight turning radius outside of only 2.56 m
- High lifting height up to 3.30 m
- High lifting capacity up to 1.6 to
- **Optimal composition of compactness, manoeuvrability, large workspace and high lifting capacity**