

Universal Loader K3 A



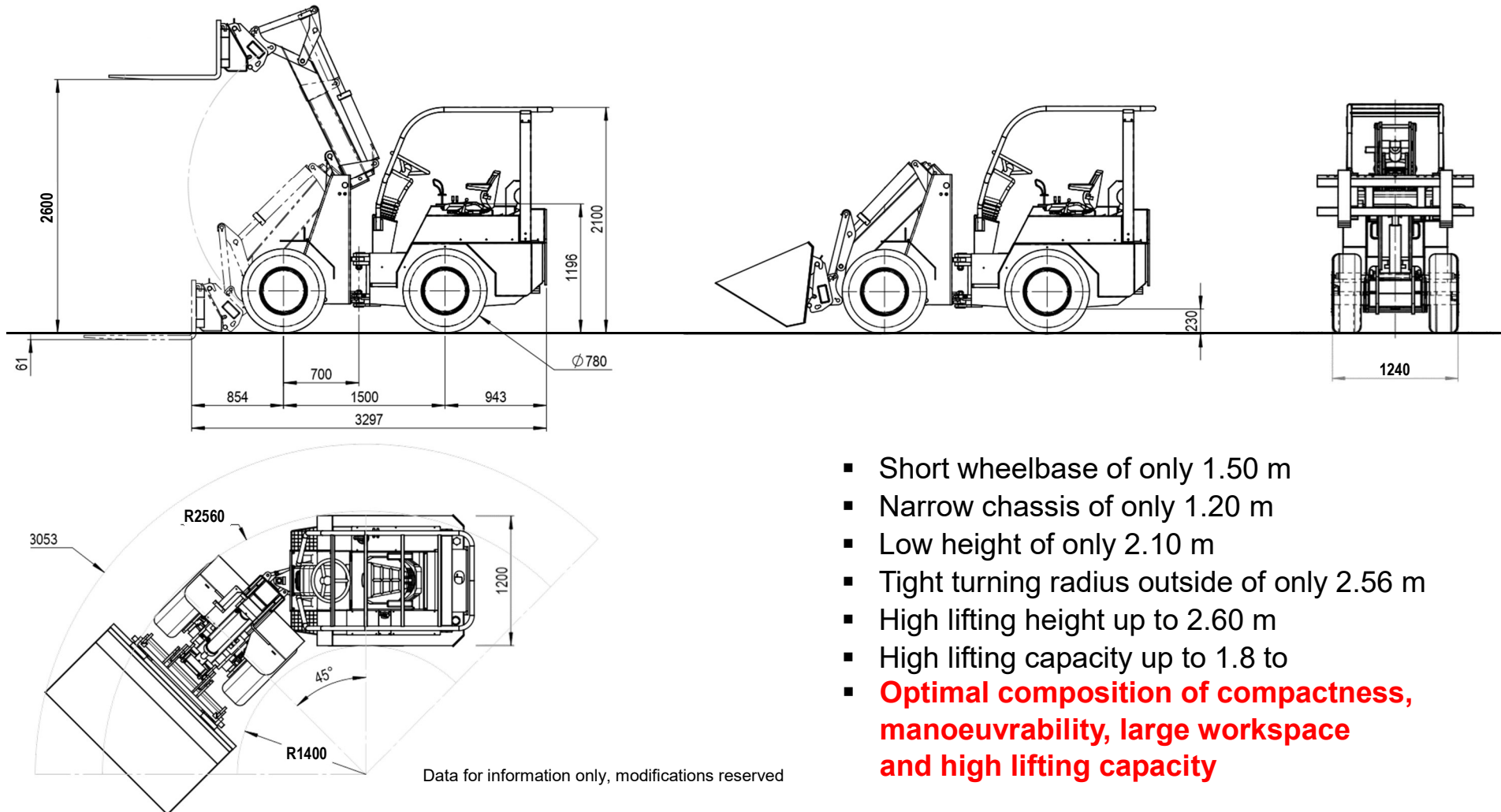
Technical Data

Engine:	Perkins, 4-cyl. diesel engine, water cooled, 36 kW (50 HP)
Lifting capacity:	1400 kg standard, 1800 kg with lifting cylinders Ø 115mm and counter weights
Lifting height:	2600 mm, lower side of pallet fork
Tipping load:	1500 kg, straight in-line
Front axle:	Stiff
Rear axle:	Standardly stiff, optionally pendulous
Front loader:	Hydraulic telescopic lift mast, max. height 3.3 m
Drive:	All-wheel, hydrostatic drive at each wheel, 0-18 km/h
Driving hydraulic:	Adjustable axial piston pump, 160 l/min, 400 bars, 4 fully hydraulic wheel motors
Working hydraulics:	Gear type pump, 72 l/min, 180 bars
Service brake:	By hydrostatic drive, on all wheels
Parking brake:	Spring loaded brake inside front wheels motors
Tyres:	Standard 10.0/75 – 15.3AS, total loader width 1.24 Optionally 31 x 15.50-15 total loader width 1.40
Driver seat:	Comfort seat, safety belt, integrated contact switch
Steering column:	Comfort steering column, inclination adjustable, operating hours counter, fuel gauge
Tool carrier:	EURO-Norm with mech. locking (standard)
Counter weights:	max. 300 kg
Diesel / oil tank	Integrated safety tanks, 29 l / 60 l
Empty weight:	2160 kg (front-/ rear axle 570 / 1590 kg)
Turning radius:	Inside 1400 mm, outside 2560 mm, articulating angle 45°

Data for information only, modifications reserved



Universal Loader K3 A



- Short wheelbase of only 1.50 m
- Narrow chassis of only 1.20 m
- Low height of only 2.10 m
- Tight turning radius outside of only 2.56 m
- High lifting height up to 2.60 m
- High lifting capacity up to 1.8 to
- **Optimal composition of compactness, manoeuvrability, large workspace and high lifting capacity**